



Doosan Infracore
Portable Power

LightSource V9 | Portable light tower



Compact design

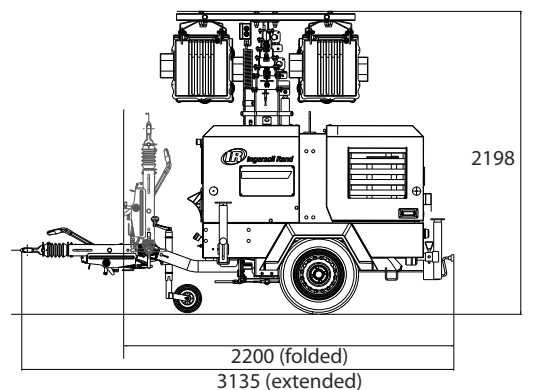
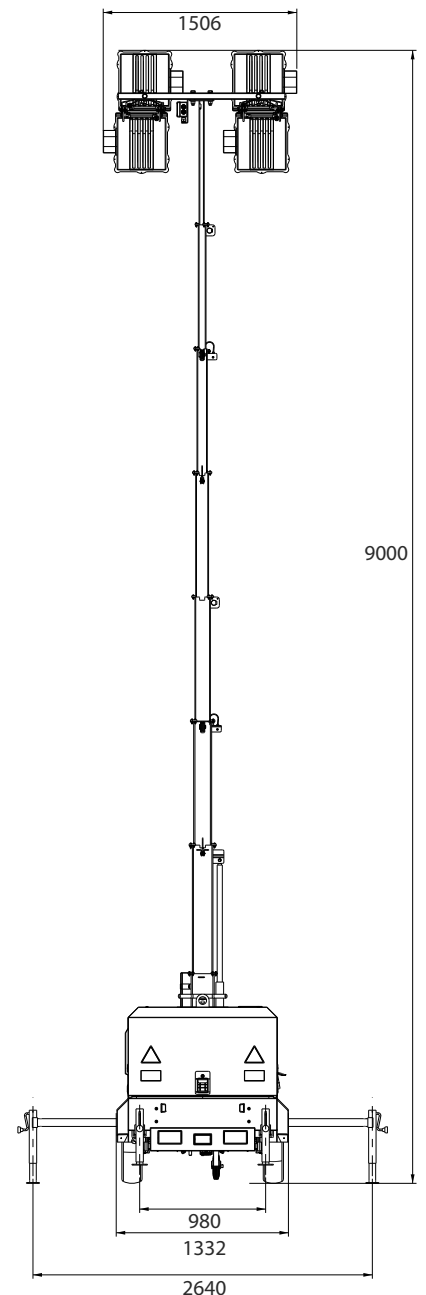
- 9 units fit on a truck or in a container
- Foldable tow bar (optional) for minimal footprint.

Accessibility

- Integral 110% bunded base with easy drain facility
- Full access to complete power train.

Mast

- 350 degrees rotation
- Hydraulic operation
- Hydraulic safety valve
- Emergency relief valve
- > 100 km/h wind resistance
- In-built level gauge.



LightSource	V9
GENERAL INFORMATION	
Number of units per truck	9 units
Extended tower height	9000 mm
Shipping dimensions (L x W x H)	3135 (2200*) x 1332 x 2198 mm
Dry / Wet weight	1167 / 1263 kg
ENGINE	
Model	Kubota D1105
Power @ 1500 rpm	8.4 kW
Tank capacity	130 l
Fuel consumption	1.69 l/h
Maximum runtime	73 h
Maximum sound power level	88 LwA
ALTERNATOR	
Model	Mecc Alte LT3/130
Prime power rate	6 kVA
MAST	
Mast raise / lower time	10 sec / 25 sec
Rotation	350 degrees
Lamps	4 x 1000 W Metal Halide
Lighting power	360 000 lumen
STANDARD FEATURES	
Auxiliary sockets	2 x 16 A / 230 V
High water temperature shutdown	Standard
Low oil pressure shutdown	Standard
Low fuel level shutdown	Standard
Earth rod & cable	Standard
Earth leakage protection	Standard
OPTIONS	
Auto Start with timer & photocell	
Variable height tow bar	
*Foldable tow bar	
Refinery kit	
Mains power supply connector	
Remote orientation of lamps	
Cold Start package	
Special colour	

Specifications and design are subject to change without notice. Pictures of Doosan Portable Power products may show other than standard equipment.

www.doosanportablepower.com

DOOSAN Doosan Infracore
Portable Power

